

Bedienungsanleitung
Instruction Leaflet
Manuel d'instruction

LP-@ ANSCHÜTZ

LP-@ ANSCHÜTZ Junior



Bitte sorgfältig lesen, bevor Sie diese
Pistole zusammenbauen oder benutzen.
Please read carefully before you
assemble or operate this pistol.
Veuillez lire attentivement ces instructions
avant l'utilisation de votre pistolet.

ANSCHÜTZ
®

DIE MEISTER MACHER

Inhaltsverzeichnis

Vorwort	S.03
Sicherheitshinweise	S.03
Allgemeiner Umgang mit Pistolen	S.04
Gehör- und Augenschutz	S.06
Gesetze	S.06
Produktspezifische Sicherheitshinweise	S.07
Haftung	S.07
Technische Daten	S.08
Spannen, Laden, Sichern	S.08
Abzug einstellen	S.09
Trockentrainingseinrichtung	S.13
Pressluftkartusche	S.13
Griff verstellen	S.14
Visierung	S.14
Reinigung, Pflege, Wartung, Öle	S.15
Zubehör	S.16
Garantie	S.16
Urheberschutz	S.17
Explosionsdarstellungen / Ersatzteillisten ..	S.48
Anhang	S.56
Garantieschein	S.63

Index

Preface	p.18
Safety instructions	p.18
General handling of pistols	p.19
Ear and eye protection	p.21
Laws	p.21
Product related safety instructions	p.21
Liability	p.22
Technical data	p.22
Cocking, loading and safety operation	p.22
Trigger adjustments	p.23
Dry firing device	p.27
Compressed air cylinders	p.27
Pistol grip adjustments	p.28
Sight set	p.28
Cleaning, care, maintenance, lubrication ..	p.29
Accessories	p.30
Warranty	p.30
Copyright	p.30
Drawings / Spare parts	p.48
Appendix	p.58
Warranty Card	p.63

Sommaire

Préface	p.32
Règles de sécurité	p.32
Utilisation générale des pistolets	p.33
Protection de l'ouïe et de la vue	p.35
Lois et règlements	p.35
Instructions particulières de sécurité	p.35
Responsabilité	p.36
Informations techniques	p.37
Opérations d'armement, de chargement et de sécurité	p.37
Réglage de détente	p.38
Tir à sec	p.42
Cartouches à air comprimé	p.42
Réglage de la poignée	p.43
Organes de visée	p.43
Nettoyage, maintenance, précautions et lubrification	p.44
Accessoires	p.45
Garantie	p.45
Licence	p.46
Dessins / Listes de pièces détachées	p.48
Appendice	p.60
Bon de garantie	p.63



DIE MEISTER MACHER

Preface

*Dear Friends of ANSCHÜTZ,
You have made a good choice, now that you have decided to buy an ANSCHÜTZ product. The many great results obtained with ANSCHÜTZ rifles by target shooters, participants in the Olympic Games as well as in World and European championships throughout the world made your choice easy, as your rifle has benefited from our great experience of making fine sporting and target rifles since 1856. World-wide, ANSCHÜTZ rifles are respected because of their fine accuracy, impeccable design and immaculate workmanship. Should you still be unaware, they include:*

The famous ANSCHÜTZ small bore target rifles, target air rifles and target air pistols, small bore biathlon rifles and repeating summer biathlon air rifles, hunting rifles and shotguns in diverse calibers, small bore single loaders and repeaters, Flobert rifles, silhouette pistols, silhouette rifles and Varmint rifles.

Safety instructions

Attention:

Please read carefully the following articles before using this rifle. It is extremely important that you become thoroughly familiar with this rifle and its operating characteristics by carefully reading and understanding the instructions in this booklet before you attempt any use of it with ammunition. Always remember the sequence of disassembly. Should you still have problems with the safe usage and

correct handling of your rifle or should you have additional questions, please do not hesitate to contact a competent gunsmith or dealer or our factory directly. This instruction leaflet is extraordinarily important. Make sure that it is always with the rifle especially when it is sold, lent or otherwise given to a third person.

Only use as follows: Our products are exclusively meant for target shooting. Their use is subject to the „General Technical Rules“ for all target shooting disciplines of the INTERNATIONAL SHOOTING SPORT FEDERATION (ISSF), Bavariaring 21, D-80336 München, Germany or to the rules of the INTERNATIONAL BIATHLON UNION, Airportcenter, Postbox 1, A-5073 Wals-Himmelreich, Austria.

Additional copies of this booklet can be ordered.

This ANSCHÜTZ firearm has been carefully test fired and inspected before shipment from the factory. The mechanism of this firearm has been properly designed, tested and fitted with the utmost attention to safety. However, any mechanical device can fail and no such device can prevent accidents caused by carelessness or thoughtless handling. ANSCHÜTZ cannot control the handling of each firearm once they have left the factory. Please take the time to inspect the firearm carefully before use.

DO NOT USE ANY FIREARM WITHOUT A COMPLETE KNOWLEDGE AND UNDERSTANDING OF IT'S SAFE USE AND PROPER HANDLING CHARACTERISTICS.

Warning:

This rifle can be dangerous if it is not used correctly or if this instruction leaflet is not observed. The privilege of ownership and safe use of your rifle carries a personal responsibility that no one should take lightly. Rifle accidents would not occur if the following rules of shooting safety were observed.

The Ten Commandments of Firearms Safety

- Learn the mechanical and handling characteristics of the firearm you are using.
- Always keep the muzzle pointed in a safe direction.
- Firearms should be unloaded when not in use.
- Be sure the barrel is clear of obstructions before using.
- Be sure of your target before you shoot.
- Wear shooting glasses and ear protection when you shoot.
- Never climb a tree or fence with a loaded firearm.
- Don't shoot at a hard surface or at water.
- Never transport a loaded firearm.
- Avoid alcoholic beverages or drugs when shooting or handling a gun.

Please note:

There is no substitute for personal responsibility and common sense in the handling, use and storage of firearms. Securely store your unloaded guns away from access by children or unauthorized adults.

General handling of pistols

Although it can be assumed that shooters are familiar with the following rules we would like to emphasize them once again for reasons of safety. All firearms are hazardous objects. Extraordinary care has to be dedicated to their use and storage.

1. Treat every pistol as though it was loaded. Do not take anyone's word or automatically assume it is not loaded. Check your pistol personally each time you handle it. The safe and courteous way to carry a pistol when you are with others is to leave the bolt open so that they can easily see that the rifle cannot be fired. Make sure that the pistol is not loaded when you stop shooting. Make sure your rifle is unloaded before every transport. Never pick up your rifle with your finger on the trigger or the trigger guard.
2. Whenever you pick up your pistol, point the muzzle at the ground. Always point the muzzle of the barrel in a safe direction. Never pull a pistol towards you by the muzzle.
3. Only use your pistol in approved shooting ranges. Shoot your pistol only under good visibility and daylight conditions. If you use your pistol in an indoors range, make sure it is adequately ventilated. Make sure that there is a safe bullet trap which can be seen from all sides and that there is no one in the vicinity of your target. Be absolutely sure of a safe backstop and target. Never fire at a hard, smooth surface or water. Never shoot at a skyline target or into the air. Do not shoot at anything from which a bullet may

ricochet. Never fire your pistol with the muzzle in the water or against any other material to avoid an accident or damage of your pistol.

4. Be sure that you use the correct ammunition. The correct calibre can be seen on your pistol. Load your pistol only when you are at the range and ready to shoot. Use only genuine ANSCHÜTZ magazines. Do not exceed the stated magazine capacity. Alterations to the rifle or the use of non-ANSCHÜTZ magazines and accessories may cause malfunctions.

5. Always keep your pistol clean. Be sure the bore is not obstructed by dirt, water, grease or any other foreign materials. Never try to shoot out any obstruction.

6. Serious injury and damage can result from the use of the wrong ammunition, bore obstructions, or incorrect cartridge components.

7. Place the safety fully into „S“ or „F“ position - never inbetween. Always keep safety in full „safe“ position until ready to fire. Do not put your finger on the trigger when operating the safety or whenever you are not ready to shoot.

8. When not in use your pistol should be stored in a locked and secure place accessible only to you. Check first to make sure it is unloaded. Store the pistol with uncocked trigger. Store ammunition in a separate and secure place. It is your special responsibility to make sure that at all times and especially when you are not present your pistol is well secured, out of any reach of children and other unauthorized persons

and in no way accessible to them. For the safe storage of your pistol even in a locked cabinet or safe the use of an additional trigger lock is recommended.

Only give your pistol to authorised persons. Never let your pistol be used by anyone who is not familiar with the safe handling of a rifle and these instructions. This pistol must only be used by a responsible adult or under his or her supervision.

9. Watch for any change in the operation of your pistol which might impair its safety. If you suspect or note a defect or malfunction, stop using it immediately, unload the pistol, make sure that it is not under pressure and send it to a competent gunsmith, the factory or its recommended repair station for inspection. Note: Apart from normal cleaning the pistol must only be disassembled by an authorized gunsmith. Please note that your firearm must also be checked by an authorized gunsmith when it has been impaired by external conditions such as corrosion etc. or when it dropped. When you assemble or disassemble your firearm, never try to do it by force. Unqualified handling or disassembly can cause injuries or irreparable damage of the pistol.

10. Your pistol should always be handled with extreme care. Make sure that it is never dropped or placed in such a way that it can fall. For transport purposes your pistol should be dry and clean. We recommend an approved protective gun case.

11. You must be in good physical condition and mental health and not under the influence of any substance (drugs, alcohol) which might impair vision, dexterity or

judgement. Do not use your pistol when you are tired. Tiredness may result in a loss of control.

12. Clean your hands carefully after shooting and cleaning your ANSCHÜTZ product. Residues of bullets, powder or oil might impair the health of your skin.

13. Your ANSCHÜTZ pistol has been carefully built and inspected by skilled technicians to provide maximum efficiency. The service life depends on the owner's care and on cleaning following the owner's manual closely.

Ear and eye protection

You should always use approved hearing protection and approved shatterproof eye protection while shooting. Please remember persons near you to also wear hearing protection and approved shatterproof eye protection.

Laws

Please observe the corresponding regulations and laws for the use of firearms in your country. Please also observe the corresponding safety rules of sports shooting.

Product related safety instructions

Important note for the handling of compressed air cylinders:

1. Only check the manometer level of the compressed air cylinder when the rifle is

unloaded and uncocked. Never check it while filling the compressed air cylinder. Due to its design the manometer works with an accuracy of +/- 10 %. Temperature variations can also impair the accuracy of the manometer.

2. Filled compressed air cylinders must not be exposed to temperatures of more than 50° Celsius/120° Fahrenheit. Therefore make sure during transport or storage that the rifle is protected against heat, for example by storing it in the Styrofoam packing or by using a gun case. In planes compressed air cylinders are only transported when they are not filled.

3. To empty the compressed air cylinder screw the refill adapter into the compressed air cylinder. After approximately 20 refills of the compressed air cylinder it should be emptied completely to get rid off possible condensed water.

4. Compressed air cylinders which are leaky, defective or older than 10 years must be emptied and must not be used and filled anymore. After 10 years from the date of manufacture the compressed air cylinder must be checked by the manufacturer for a fee. The date of manufacture can be seen from the compressed air cylinder.

5. Compressed air cylinders and refill bottles must be stored in a dry, dust and grease/oil free place.

6. Never grease or oil the valves or threads of the compressed air cylinder. Danger of explosion!

7. Compressed air cylinders must not be filled with more than 200 bar (2,790 psi) at room temperature. Only use compressed air free of oil or water (DIN EN 12021 - inhaled air). According to legal regulations we only deliver unfilled compressed air cylinders.

8. Never try to open a compressed air cylinder yourself or to carry out mechanic modifications. Protect your compressed air cylinder against external force.

9. Apart from the notes above the technical rules of your country with regard to the filling of compressed air cylinders must be observed.

Liability

1. ANSCHÜTZ does not assume any responsibility or payment of damage claims for damages of any kind resulting from the disregard of these instructions, non-qualified treatment or repair, the use of non-original ANSCHÜTZ spare parts, incorrect handling or care, negligence, removal of the knot varnish or unauthorized modifications.

2. The wood of the stock or grip as well as the PRO grip equipment have been very carefully checked by factory inspectors prior to shipment and has been determined to be free of defects. Certain kinds of abuse, such as a dropping or falling down can cause damage to the wood for which the owner is solely responsible. We also assume no responsibility for defects resulting from inappropriate transportation (mail, plane, etc.). Please immediately contact your transporter in such a case.

3. Changes, alterations or manipulations to this product or any of its parts are prohibited and might infringe firearms regulations. Such changes or alterations can significantly impair the safe use of our product and can lead to accidents involving severe or even fatal bodily injuries. Any product warranty will automatically lapse in case changes or alterations are implemented. Users are requested to carefully inspect the product with regard to possible changes and alterations before use. In case of doubt you should contact us for further information.

Compressed Air Pistol Model LP-@ ANSCHÜTZ

Technical Data:

LP-@ ANSCHÜTZ Compressed Air

Caliber:	4.5 mm / .177
Barrel length:	22.7 cm / 8.93"
Total length:	40 cm / 15.74"
Sighting line:	34 - 40 cm / 13.39" - 15.75" adjustable
Weight:	1,02 kg / 2.25 lbs
Version:	Single loader

LP-@ ANSCHÜTZ Compressed Air Junior

Caliber:	4.5 mm / .177
Barrel length:	16 cm / 6.3"
Total length:	32.5 cm / 12.8"
Sighting line:	29.5 - 33 cm / 11.1"-13" adjustable
Weight:	0,87 kg / 1.92 lbs
Version:	Single loader

Cocking, loading and safety operation

- Move the loading lever to stop for cocking.
- Insert the pellet and close the loading lever completely.
- The „F“ at the housing is visible.
- The pistol is now ready for shooting.

Trigger adjustments

Your ANSCHÜTZ sports device offers you a variety of individual possibilities of adjustment, which should be carried out while having the dry-firing device activated.

⚠ Attention:

Please read this booklet carefully before carrying out any modifications at the trigger.

1. Adjustment of the trigger blade

The length, the height and the angle of the trigger blade are adjustable.

- Length adjustment:
Loosen screw and move the trigger blade on the blade carrier. It is now possible to

tilt the trigger blade to the sides. Tighten screw again.

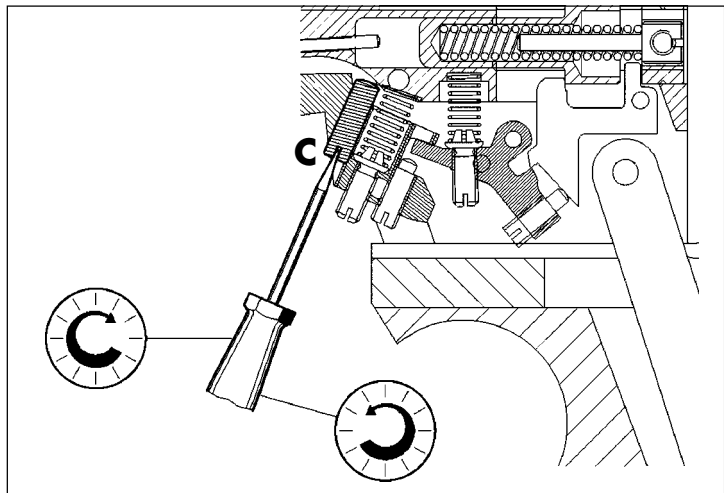
- Adjustment of height and angle:
Loosen screw and move the trigger blade vertically or turn it.

2. Adjustment of the trigger stop

- If you turn screw (C) clockwise the trigger stop of the blade is shortened after shot release.
- If you turn the screw (C) counter-clockwise the trigger stop of the blade is lengthened after shot release.

⚠ Attention:

A too short trigger stop might lead to an inconsistent trigger behavior.

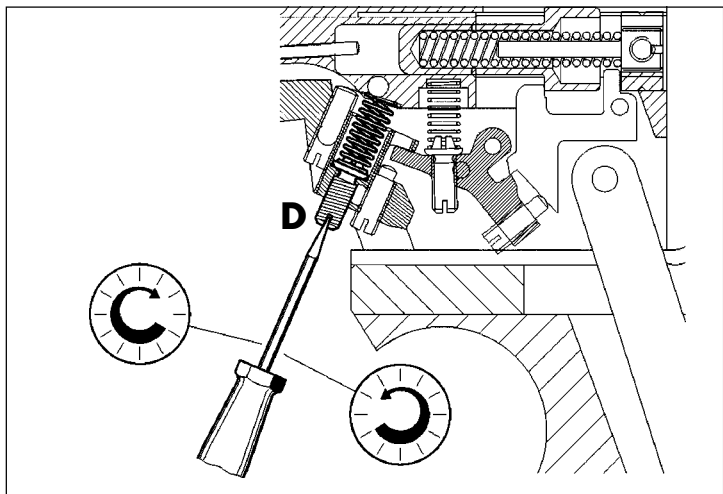


3. Adjustment of first stage weight

- If you turn the screw (D) clockwise the first stage weight is increased.
- If you turn the screw (D) counter-clockwise the first stage weight is decreased.

Attention:

Please consider the total trigger weight! It consists of first stage weight and trigger weight.

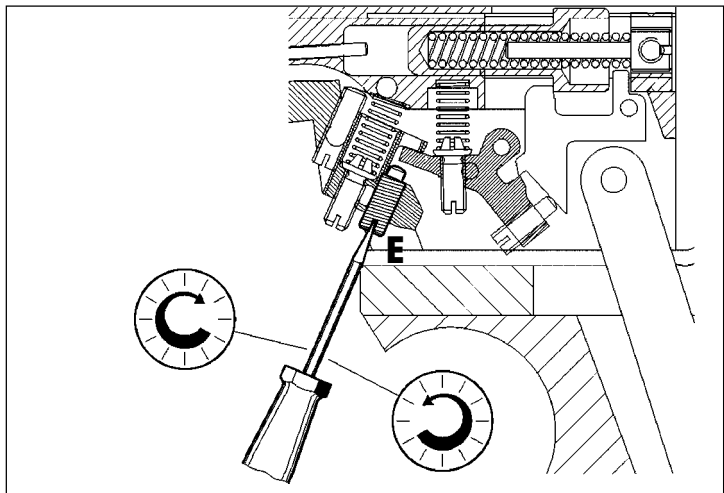


4. Adjustment of first stage

To modify the first stage, first turn screw (E) of the trigger stop some turns counter-clockwise.

- To shorten the first stage:
Turn screw (E) clockwise.
- To extend first stage:
Turn screw (E) counter-clockwise.

After the first stage adjustment the trigger stop must be adjusted again.



5. Adjustment of the trigger weight

Remove the retaining screw for the grip with an allen wrench.

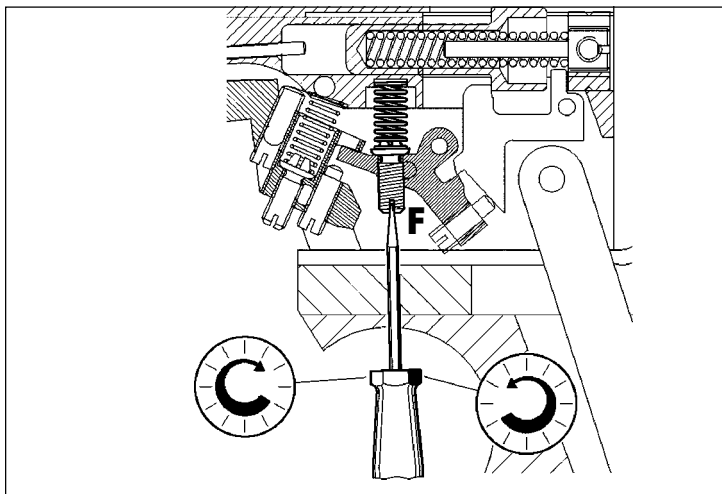
- To increase the trigger weight:
Turn screw clockwise.
- To decrease the trigger weight:
Turn screw counter-clockwise.

Attention:

Please consider the total trigger weight! It consists of first stage weight and trigger weight.

6. Adjustment of the sear engagement

The sear engagement has been exactly adjusted by the factory and must not be changed. It is therefore sealed by a varnish.



Dry firing device

With this device you can dry fire without using any pellets.

- Move loading lever to the stop (it is vertical in end position).
- Move loading lever forward until you feel a first resistance. The „T“ at the housing is visible.
- The barreled action is cocked. The trigger can be tested. The sound of releasing the trigger is audible but the compressed air does not escape.

Compressed Air Cylinder

Handling

The pistol is equipped with an interchangeable compressed air cylinder. The compressed air cylinder can be changed whether it is filled or not. The compressed air cylinders are not screwed in all the way when they come from the factory.

Attention:

Only original ANSCHÜTZ compressed air cylinders (max. 200 bar) must be used! Repair of compressed air cylinders must only be carried out by the manufacturer. Original spare parts must be used. If this is not observed we will not assume any liability or warranty.

To attach the compressed air cylinder:

The compressed air cylinder must be screwed in slowly and carefully to avoid any damage.

- Fill the compressed air cylinder before use and screw it in manually.
- You feel a resistance before you reach the stop, the valve thus opens automatically.
- Screw the compressed air cylinder in for approx. 1/4 turn until there is an airtight connection at the stop.

To remove the compressed air cylinder:

To protect the housing, valves and seals we recommend you always remove the compressed air cylinder when you do not use your compressed air pistol.

- Screw out the compressed air cylinder by hand by turning it approx. 1.5 turns counter-clockwise. The pressure escapes.
- After approx. two more turns the compressed air cylinder can be removed.

Attention:

Always turn out the compressed air cylinder until you hear that the air escapes. Afterwards you can screw in the compressed air cylinder again. With this procedure you avoid damages of the seal.

To fill the compressed air cylinder:

Before you fill the compressed air cylinder, please check all components which are used in this process such as refill bottle, refill adapter and compressed air cylinder for defects (e.g. at the threads).

Warning:

- Only use refill bottles with a maximum pressure of 200 bar (2,790 psi)

- Only use compressed air free of oil and water (DIN EN 12021).
- Make sure that there is no oil or grease on the connecting threads.
- Only use the adapter (Item No. 711.3511), which is delivered with your rifle.
- To refill the compressed air cylinder we recommend the use of diving bottles.

Filling process:

- Screw the adapter on the refill bottle.
- Screw the compressed air cylinder onto the adapter.
- Open the valve of the bottle very slowly.
- Close the valve of the compressed air bottle after approx. 5 seconds (The compressed air cylinder will heat up slightly).
- Remove the compressed air cylinder and screw it on the pistol by hand.

With a full cylinder (max. 200 bar/2790 psi) approx. 130-140 shots (remaining pressure 65 bar / 943 psi) can be fired. We recommend to never empty the compressed air cylinder completely. Compressed air bottles (Item No. 711.3510) are available in specialised gun shops. The refilling of compressed air cylinders is also possible in specialised gun shops or in shops for diving equipment.

Warning:

Compressed air bottles with an allowed filling pressure of 300 bar (4,185 psi) are offered as well. These bottles have the same thread as the bottles with a filling pressure of 200 bar (2,790 psi). In case you use a bottle with a filling pressure of 300 bar

(4,185 psi) it is absolutely necessary to use a pressure reducer which is adapted to 200 bar /2,790 psi). For reasons of safety it is not allowed to fill the compressed air cylinder with more than the maximum pressure of 200 bar (2,790 psi). It is also not allowed to use such a compressed air cylinder or to store it. Please therefore strictly observe the instructions for the filling of the compressed air cylinder and the corresponding technical rules of your country.

Pistol Grip Adjustment

The grip can be adjusted and tilted in all directions. To do this remove the grip. With the countersunk screws on the lower and back part of the grip block the grip position can be adapted to the individual requirements.

Sight Set

1. Adjustment of the sight set

- Shots are too high:
Turn screw at „H“.
- Shots are too low:
Turn screw at „T“
- Shots are too far at the right:
Turn screw at „R“.
- Shots are too far at the left:
Turn screw at „L“.

One click of the screws moves the point of impact by 1.2 mm at a distance of 10 m.

2. To move the rear sight

- Loosen screw with hex key 2.5.
- Move the rear sight carrier into the desired position.
- Tighten the screw.

3. To move the front sight

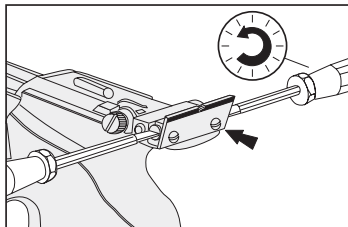
By moving the front sight the sighting line can be lengthened or shortened.

- Loosen the countersunk screw at the front sight.
- Move the front sight on the front sight carrier in the longitudinal direction.
- Tighten the screw at the front sights.

4. To adjust the rear sight

The width of the rear sight is variably adjustable from 0 to 5 mm.

- To decrease the width:
Turn the screw counter-clockwise.
- To increase the width:
Turn the screw clockwise.



The depth of the rear sight leaf is variably adjustable from 1.8 to 2.6 mm.

- Loosen the screws for the rear sight leaf.
- Move the rear sight leaf into the desired position.
- Tighten the screw for the rear sight leaf again.

5. Check the accuracy

To check the accuracy of the pistol, clamp it into a vice in the area of the trigger guard.

Cleaning; Maintenance, Care, Lubrication

Even after considerable use, your ANSCHÜTZ air pistol will not require much attention - a tribute to its solid design, first class materials, well proven ANSCHÜTZ workmanship and precision. If you follow the recommendations below, you will help maintain the excellent performance of your pistol for a long time.

Regular care after every shooting:

- Clean steel parts, especially the cone of the barrel, with a slightly oiled, lint-free cloth to avoid corrosion which might occur as a result of humid hands or condensed water.
- To avoid corrosion you also should clean your barrel with a slightly oiled, lint-free cloth or cleaning cords pulling them through the barrel from the chamber to the muzzle. Please use no other means for cleaning.
- Remove the oil film with a dry cloth or cleaning cords before you shoot again.

Careful cleaning after approx. 2,000 to 3,000 shots:

- Pull cleaning cords in dry condition through the barrel until the last one shows no considerable dirt.
- After cleaning or before shooting the next time fire 10 shots to get back to the former shooting performance.
- Slightly grease the two o-rings in the loading area and the o-ring at the thread pin which takes the compressed air cylinder with a special grease.

Attention:

When cleaning the pistol no dirt, residues of solvents, grease or non-suitable oils must get into the trigger mechanism.

Protect your rifle against dust, sand, humidity, heat and other harmful influences. Vacuum clean your pistol case or soft case once a month to remove dust and lint. Pistol cases and soft cases should have a smooth and dust rejecting inner lining.

Be aware that condensed water might occur as a result of temperature variations. In such a case it has to be removed at once to avoid corrosion. Leave your pistol case or soft case open when you store it at home so that possible humidity can escape. A slight oil film on the steel parts also protects your pistol against corrosion.

Be aware of other possible changes or damage. In such a case take your pistol to an authorized gunsmith for checking or send it to our factory.

When you use your pistol frequently we recommend having the seals and the piston checked once a year.

Accessories

Please ask for our catalog or take a look at our website under www.anschuetz-sport.com

Warranty

A warranty of 2 years will be issued. Parts which are subjected to wear are not part of this warranty. In the case of warranty we substitute the defective parts free of charge. Cases of warranty will only be accepted if the article in question and the corresponding purchase receipt plus filled-in warranty card are presented. Warranty will not be accepted if changes or repair works have been carried out by persons who are not authorized, if the firearm is not used correctly, if unlawful modifications or manipulations have been carried out, if any knotting has been damaged or if non-ANSCHÜTZ original parts were used.

In addition a damage to your firearm is not subject to warranty if it is due to an ignorance of this instruction leaflet or improper care or treatment.

We wish you much pleasure and success with your ANSCHÜTZ product and would be pleased if you could let us have your ideas on our products and the design of this instruction leaflet.

Copyright

Product specifications, design and model changes are subject to change without prior

notice. Dimensions and colors are subject to change. With reservation of misprints and errors. Goods are subject to prior sale. Delivery subject to the presentation of the referring license for the purchase of firearms.

ANSCHÜTZ, the ANSCHÜTZ logo and the ANSCHÜTZ logo in connection with the slogan „Die Meister Macher“ (also in modified spelling) and „Soft-Link®“ are protected brands of J.G. ANSCHÜTZ GmbH & Co. KG, Ulm, Germany. The unauthorized use of this brand name is not allowed and punishable.

All rights of this instruction leaflet reserved. The use of the instruction leaflet, also in excerpts, is not allowed without the permission of J.G. ANSCHÜTZ GmbH & Co. KG and otherwise is punishable. This is especially applicable for unauthorized copying, translations and read-ins in electronic systems.

Appendix

Requirements for Compressed Air

Oxygen

The content of oxygen must be within the range of (21 +/- 1) Vol. % (dry air).

Impurities

1. General information

Compressed air for respiratory equipment must not contain impurities in a concentration which might have toxic or harmful effects. In any case there must be as little impurities as possible and they must be far below the national limit of exposition. Combined effects of more than one impurity must be considered. If there are no national restricting requirements the values of 2 to 3 must be applied.

Note: The limit concentration for every impurity should be deducted from the national limit of exposition. The influences of pressure and exposition time should be considered as much as possible.

2. Lubricants

The content of lubricants (drops or mist) must not exceed 0.5 mg/m³. In case of synthetic lubricants 1) is to be applied.

3. Smell and taste

The air must be without significant smell or taste.

4. Content of carbon dioxide

The content of carbon dioxide must not exceed 500 ml/m³ (500 ppm).

5. Content of carbon monoxide

The content of carbon monoxide must not exceed 15 ml/m³ (15 ppm).

Content of water

1. There must be no liquid water.

2. The air for compressed air respirators must have a dew point which is low enough to avoid condensing and freezing. If the equipment is used and stored under a known temperature the dew point under pressure must be at least 5°C below the assumably lowest temperature. If the conditions for use and storage of the compressed air reservoir are not known, the dew point under pressure must not exceed -11°C

Chart 1

Nominal pressure bar	Max. contents of water in the air at atmospheric pressure mg/m ³
40 - 200	50
> 200	35

3. The maximum content of water in the air at atmospheric pressure must be in line with the values of the chart.

Note: The contents of water of the air which is delivered from the compressor to fill 200 bar or 300 bar compressed air containers should not exceed 25 mg/m³.

Checks

Any suitable method is allowed as far as it corresponds to the following general requirements:

- To measure and judge the results the accuracy of the method must be considered and
- The proof limit of the applied method must be below the required limit.

Typical composition of natural air (ISO 2533)

Chart 2

Components	Mass-% (dry air)	Volume-% (dry air)
Oxygen (O ₂)	23, 14	20, 9476
Nitrogen (N ₂)	75, 5	78, 084
Argon (Ar)	1, 288	0, 934
Carbon dioxide (CO ₂)	0, 048	0, 0314
Hydrogen (H ₂)	0, 000003	0, 00005
Neon (NE)	0, 00127	0, 001818
Helium (HE)	0, 000073	0, 000524
Krypton (Kr)	0, 00033	0, 000114
Xenon (Xe)	0, 000039	0, 0000087

Labelling of the Compressed Air Cylinder:

Text / Marking:

ANSCHÜTZ

TARA 0,182 KG

PRUEFDRUCK 300 BAR

LUFT max. 200 BAR

05/2001 600006

Description

- ANSCHÜTZ:
Name of manufacturer.
- TARA 0,182 KG:
Empty compressed air cylinder.
- PRUEFDRUCK 300 BAR:
Test pressure.
- LUFT max 200 BAR:
Max. allowed filling pressure at 15 °C.
- 05/2001:
Manufacturing date
- 600006:
Manufacturer's identification code.

<<<< GARANTIE >>>>

Dieser Artikel wurde zum Verkauf freigegeben, nachdem er selbst, seine Materialien und Einzelteile strenge Kontrollen durchlaufen haben, oder das Produkt beim Beschuss seine Haltbarkeit und Funktion unter Beweis gestellt hat. Wir übernehmen für zwei Jahre volle Garantie auf Material- oder Bearbeitungsfehler (ausgenommen Schaft- und Federbrüche), sofern ein Mangel nachweisbar bereits im Zeitpunkt der Übergabe des Artikels vorlag. Für Mängel, die auf unsachgemäße Behandlung oder auf Reparaturen zurückzuführen sind, stehen wir nicht ein. Die Garantieleistung steht in unserer Wahl in Nachbesserung oder Neulieferung. Schadensersatzansprüche – aus welchem Rechtsgrund auch immer geltend gemacht – sind ausgeschlossen. Wir bitten, diese Karte – von Ihrem Waffentfachgeschäft ausgefüllt und unterschrieben – mit dem Artikel an uns einzusenden.

J.G. ANSCHÜTZ GmbH & Co. KG · Jagd- und Sportwaffenfabrik
Postfach 1128 · D-89001 Ulm/Germany · www.anschuetz-sport.com

ANSCHÜTZ[®]
DIE MEISTER MACHER

FABRIKATIONS-NR.:

Serial-No. / Numéro de série :

DATUM DES VERKAUFS:

Date / Date d'achat :

GEKAUFT BEI:

This item was bought from / Détaillant :



Stempel und Unterschrift des Fachhändlers
stamp of dealer / timbre du détaillant

<<<<GARANTIE>>>>

Cet article n'a été mis en vente qu'après une vérification minutieuse des pièces et matières à tous les stades de la fabrication ou après avoir subi un contrôle de fiabilité et de bon fonctionnement au banc d'épreuve. Nous la garantissons pendant deux ans contre tout défaut de matière ou vice de fabrication (sauf contre les bris de crosse ou de ressorts) dans la mesure où il peut être prouvé qu'un défaut existait déjà au moment de l'achat de l'article. Nous ne répondons pas des défauts résultant d'une utilisation incorrecte ou de réparations. Nous nous réservons d'exécuter la garantie soit par remise en état soit par échange. Les demandes en dommages-intérêts sont irrecevables quelle que soit la cause mise en avant. Veuillez faire remplir et signer cette carte par votre armurier et nous l'adresser avec l'article.

J.G. ANSCHÜTZ GmbH & Co. KG · Jagd- und Sportwaffenfabrik
Postfach 1128 · D-89001 Ulm/Germany · www.anschuetz-sport.com

<<<<WARRANTY>>>>

After thorough testing of materials and finished parts this item has passed a rigid final inspection as well as proof testing or test shooting. If, despite these precautions, there is any failure due to defective materials or workmanship (except broken stocks and springs) within two years the necessary repairs will be carried out without charge, in so far as the item was evidently defective at the time of purchase. No claims under warranty can be accepted if the item has been subjected to improper use or unauthorized repair. The item will be either repaired or replaced at our discretion. Claims for compensation – put forward for any legal cause whatsoever – are excluded. This warranty card – completed and stamped by your dealer – must be returned with the item for repairs.

J.G. ANSCHÜTZ GmbH & Co. KG · Jagd- und Sportwaffenfabrik
Postfach 1128 · D-89001 Ulm/Germany · www.anschuetz-sport.com



DIE MEISTER MACHER



Fabr.-Nr.:

Serial No.:

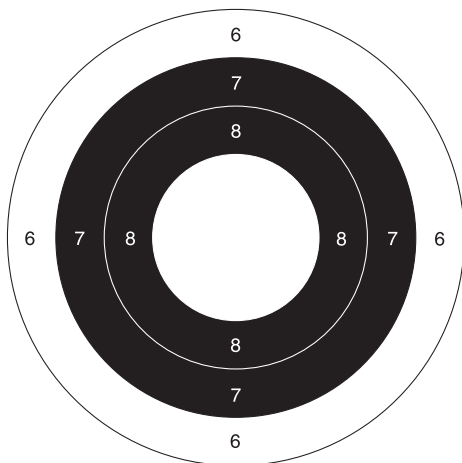
N° de série :

Bitte hier eintragen · Please fill in here · Veuillez inscrire

Originalschussbild Ihrer Pistole 5 Schuss auf 10 m

Original group of your pistol 5 shots at 10 m

Groupement test de votre pistolet 5 coups à 10 m



J.G. ANSCHÜTZ GmbH & Co. KG

Jagd- und Sportwaffenfabrik

Daimlerstrasse 12

D-89079 Ulm / GERMANY

Postfach 11 28

D-89001 Ulm / GERMANY

Telefon (++49)-(0)-731-4012-0

Telefax (++49)-(0)-731-4012-700

anschuetz-sport.com

JGA-Info@anschuetz-sport.com

ANSCHÜTZ
®

DIE MEISTER MACHER