

LP 10



Bedienungsanleitung
Operator's manual
Mode d'emploi
Instrucciones de funcionamiento

Dear sporting shooter!

The Steyr Match LP 10, caliber 4.5, as built by Steyr Sportwaffen GmbH, is a further development of the successful Steyr Match pistol series. This new high-performance sporting pistol has been designed uncompromisingly with the object to fully exploit the shooter's performance potential both in competition and training. The most outstanding features of this match pistol are precision, quality and easy handling.

Its use is exclusively subject to the "General technical rules" for all shooting sport disciplines of the INTERNATIONAL SPORT SHOOTING FEDERATION (ISSF).

ISSF

Bavariaring 21, D-80336 Munich 2,
Germany.

Important rules for the handling of firearms

While it can be assumed that, in general, the shooters are aware of the following principles they should be stated again for safety's sake:

All firearms are dangerous objects, storage and use of which demand utmost caution.

Always treat an unloaded weapon as if it were loaded.

Never put your finger on the trigger, except when actually firing a shot. Always ensure that the weapon is pointing in a safe direction. Only perfect condition of the weapon ensures safety.

Improper handling and lack of care may impair operation and safety of the pistol. Tampering with its mechanism as well as any damage and alterations forcibly caused by third persons, will cancel any guarantee rights towards the manufacturer.

Repairs on the weapon have to be carried out exclusively by authorized specialists.

Weapons always have to be stored out of the reach of unauthorized persons, particularly children and juveniles. Ammunition must not be stored at the same place as the weapon.

In order to avoid damage to the weapon during transportation the weapon has to be carried in its original packing or in a pistol case (available as optional equipment from Steyr Sportwaffen GmbH) .

Table of Contents

1	Technical Data	30
2	Special features and advantages	31
3	Dry firing mechanism	32
4	Cocking, loading and shooting	33
5	Sight adjustment	34
5.1	Moving the rearsight	34
5.2	Moving front sight	34
5.3	Adjusting rear sight plates	35
5.4	Checking precision	35
6	Trigger adjustment	36
6.1	Trigger blade adjustment	36
6.2	Triggerstop adjustment	37
6.3	First stage pressure adjustment	38
6.4	First stage travel adjustment	39
6.5	Second stage pressure adjustment	40
6.6	Sear adjustment	41
7	Grip adjustment	42
8	Changing a compressed-air cylinder	43
9	Refilling the compressed-air cylinder	43
9.1	Refilling	44
10	Accessories	45
11	Cleaning and care	45
12	Guarantee clauses	46
13	Service	48
14	Parts list LP-10	49

1 TECHNICAL DATA

This single shot pistol uses Diabolo bullets cal. 4.5 mm (.177). Dehumidified compressed air is used as propellant.

Its design corresponds to the state of the art in shooting and was developed in cooperation with renowned top shooters.

Caliber	4.5 mm (.177)
Overall height	142 mm
Overall length	400 mm
Overall width	50 mm
Sight length	adjustable from 319 mm to 365 mm
Barrel length	227 mm
Maximum filling pressure	200 bar
Total weight with filled cylinder	1060 g
Trigger pull weight (adjustable) is factory-set	500g
(corresponds to ISSF-shooting rules)	
Front sight	4,5 mm
Number of shots	appr. 170 shots.

2 SPECIAL FEATURES AND ADVANTAGES

Well controlled shooting owing to stabilizer, compensator, and optional barrel weights.

Bore-holes in the barrel enhance the effectiveness of the compensator and ensure silky soft shooting. The bore-holes also prevent the weapon from jolting during firing and, in addition, give you optimal view of the target while firing.

Maximum precision

Extremely short shot release.

The dry firing mechanism at the same time serves as a permanent safety for the hammer.

The compressed air cylinder is easily replaceable without the use of tools.

The layout of the trigger ensures minimum tilting moment when firing. Recoil energy is transferred directly into the hand. Various grip sizes are available for right or left handers.

The palm shelf of the grip is height-adjustable and swivel-mounted.

The grip is adjustable for height and the angle at which it is fitted to the pistol can be altered.

Rear sight carrier and sight adjusting plate are mounted on springs and will always return to the position adjusted by the set screws.

WARNING: The enclamped item numbers shown in the following paragraphs refer to the numbers in the illustration of the pistol on the inside of the cover.

3 DRY FIRING MECHANISM

The cocking lever (1) is pulled backwards (to a vertical position) and then moved forward again until you feel the first resistance. The letter "T" on the casing is still visible.

The mechanism is cocked. Trigger characteristics are realistic and can be tested for real shooting.

The trigger release noise is audible but no compressed air will escape.

4 COCKING, LOADING AND SHOOTING

Pull back the cocking lever (1) to the stop (vertical position), this cocks the pistol and opens the loading port.

Insert a Diabolo pellet and fully close the cocking lever (1) again. Only the letter "F" will be visible on the casing. The pistol is ready for firing.

Before pulling the trigger, always make sure that the barrel is pointed towards a safe area. Never aim in a direction where you could cause damage or endanger lives.

WARNING: When firing, use ear protection and safety shooting glasses.

NOTE: Before starting the competition, make sure that compressed-air cylinder is completely filled. (check pressure by means of a pressure gage - max. pressure: 200 bar).

If after trying the pistol it is necessary to make individual adjustments a large number of possibilities are available, which are described in the following sections 5 to 7.

5 SIGHT ADJUSTMENT

Careful firing tests have been carried out with the pistol at the manufacturer's. Nevertheless, the sight adjustment may not fully suit your eyes or stance and individual adjustments may be made as follows:

High hit - Turn elevation screw (3) in direction "H"

Low hit - Turn elevation screw (3) in direction "T".

One notch of the elevation screw changes the impact position by 1,2 mm at a target distance of 10 m.

Right hit - Turn lateral adjustment screw in direction "R"

Left hit - Turn lateral adjustment screw in direction "L"

One notch of the lateral adjustment screw changes the impact position by 1,2 mm at a target distance of 10 m.

5.1 Moving the rearsight

Loosen screw (5) using Allen key 2.5, move sight carrier to the desired position and tighten screw (5) again.

5.2 Moving front sight

After loosening the countersunk screw (6) the front sight may be moved lengthwise. Three positions are available. This allows you to lengthen or shorten the sighting line.

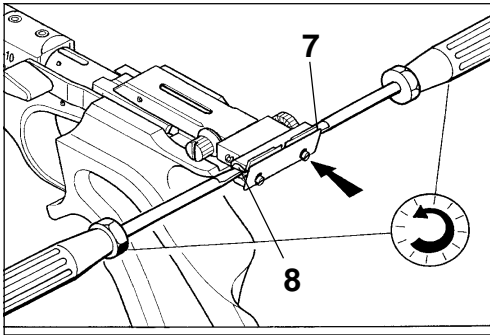
5.3 Adjusting rear sight plates

The Steyr LP 10 is equipped with an adjustable rear sight, this feature enables you to adjust sighting width continuously from 0 to 5 mm.

Turning screw (7) clockwise increases the gap between the rear sight plates, turning screw (8) counter-clockwise reduces the gap and vice versa.

The depth of the gap is continuously adjustable from 1.8 mm to 2.6 mm.

For this procedure, loosen screws (9). Slide cover plate (2) into desired position and retighten screws.



5.4 Checking precision

To check precision with a clamped weapon, it is advisable to clamp the pistol around the area of the trigger guard.



Clamp here

6 TRIGGER ADJUSTMENT

In the factory the trigger adjustments are set in such a way that the trigger pulling force corresponds to the ISSF-shooting rules and a smooth pulling function is ensured. An individual adaptation of the trigger action is possible for optimum individual performance.

It is advisable to make all adjustments with dry fire mechanism engaged.

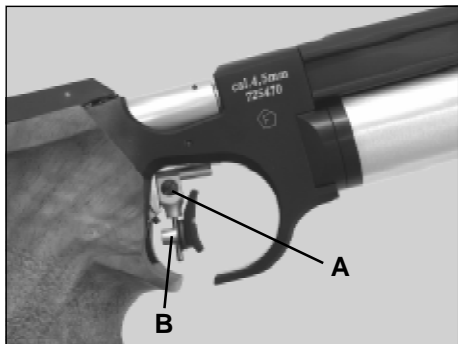
Before making any alterations to the trigger, ensure the pistol is unloaded and be sure to read this operator's manual carefully.

6.1 Trigger blade adjustment

The trigger blade may be adjusted for length, height, and angle.

Longitudinal adjustment: Loosen screw (A) and shift blade on the blade carrier. Retighten screw (A).

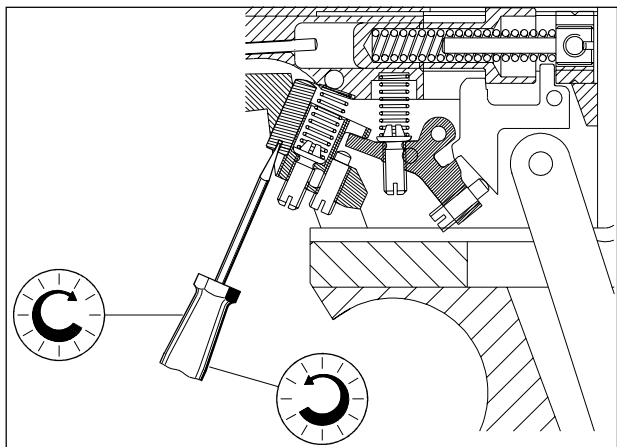
Adjustment for height and angle: Loosen screw (B) shift blade vertically or turn it. Retighten screw (B).



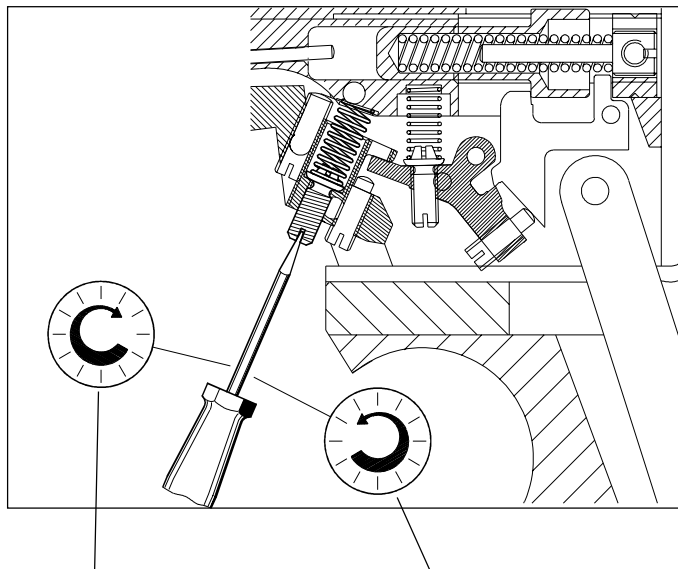
6.2 Triggerstop adjustment

Turning the screw clockwise shortens the 'aftertravel' of the trigger blade after shot release. Turning the screw counter-clockwise lengthens the 'aftertravel' after shot release.

A too close adjustment may cause unsteady trigger action.



6.3 First stage pressure adjustment

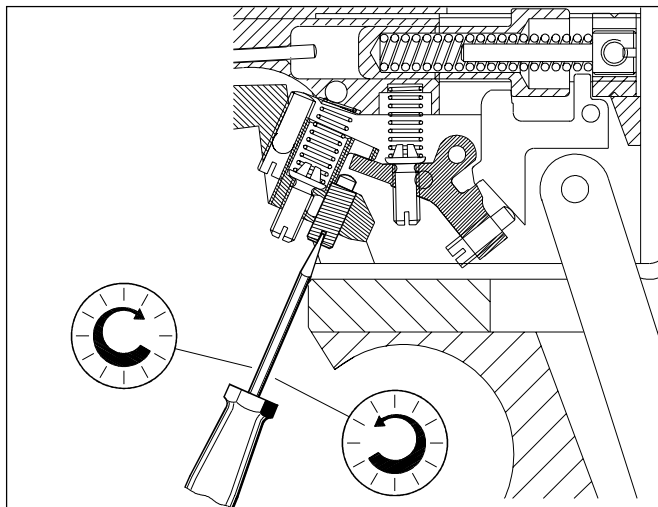


Turning the screw clockwise increases the first stage pressure

Turning the screw counter-clockwise decreases the first stage pressure.

WARNING: Mind total trigger pressure! It is the sum of first stage pressure plus second stage pressure (also see chapter 6.5).

6.4 First stage travel adjustment



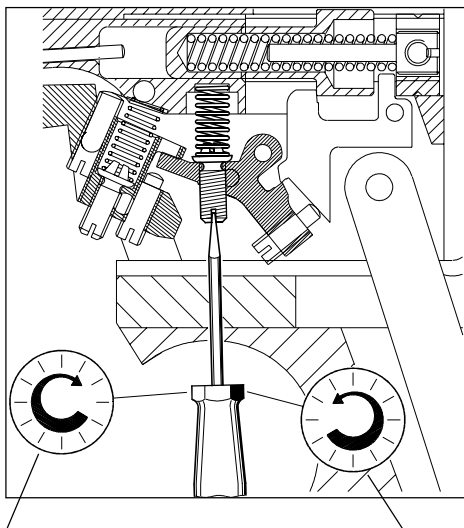
To reduce first stage travel, first loosen the triggerstop screw counter-clockwise a few turns.

Turning the screw clockwise shortens first stage travel;
Turning the screw counter-clockwise extends first stage travel.

Re-adjust the triggerstop after adjusting the first stage travel (see 6.2).

6.5 Second stage pressure adjustment

Remove the grip. Loosen screw (10) with Allen key.



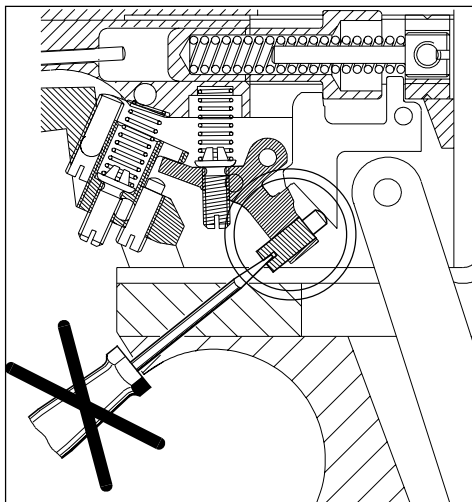
Turning screw clockwise increases the second stage pressure;

Turning screw anticlockwise decreases the second stage pressure.

WARNING: Mind total trigger pressure! It is the sum of first stage pressure plus second stage pressure (also see chapter 6.3)

6.6 Sear adjustment

The bridging of the sear between trigger sear and trigger lever is exactly adjusted by the factory and **must not be changed**.

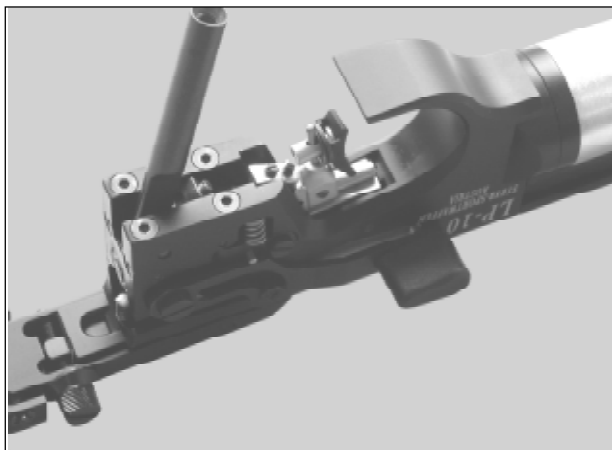


Don't turn this screw!

7 GRIP ADJUSTMENT

The grip (11) is adjustable and pivotable in relation to the weapon system in all directions and may be adapted over a wide range depending on the posture of the shooter. For this purpose the grip (11) has to be removed by loosening screw (10).

Adjustment is achieved by means of the countersunk screws located at the bottom and the rear of the casing (Allen key, 2 mm).



8 CHANGING A COMPRESSED-AIR CYLINDER

The compressed-air cylinder may be unscrewed and removed at any time even without being emptied.

For refilling the propellant cylinder the following 'Filling Instruction' must be exactly adhered to.

9 REFILLING THE COMPRESSED-AIR CYLINDER

GENERAL:

The legal rules and regulations of the respective country must be adhered to.

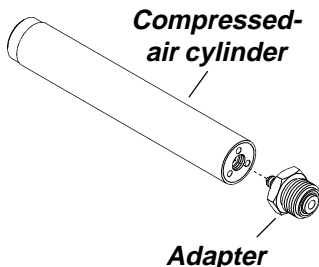
WARNING: In compliance with pertaining transportation laws, the steel cylinders supplied with the pistol are empty.

WARNING: Do not tamper with steel cylinder.
Repair work involving propellant cylinder or valves may be carried out exclusively by the manufacturer or persons specifically authorized in writing by the manufacturer; only original parts may be used.
In case of non-compliance the guarantee shall be void.

The compressed-air cylinder is to be charged with a maximum filling pressure of 200 bar. This charge will suffice for appr. 170 rounds. Prior to competition, check pressure by means of a pressure gage! Refill if pressure is too low.

9.1 Refilling

1. Dismount cylinder from weapon.
2. Mount adapter on refill cylinder (standardized thread) and tighten using a wrench size 27 mm.
3. Mount compressed-air cylinder on adaptor by hand (make sure to use only cylinders with a maximum filling pressure of 200 bar).
4. Open valve of refill cylinder to charge the compressed-air cylinder with compressed-air (make sure to use only dehumidified compressed-air). Close valve of refill cylinder and dismount compressed-air cylinder from adaptor.
5. Check pressure by means of pressure gage.



WARNING: Since weapon is also functional with low filling pressure, adequate caution should be exercised!

Do not expose the cylinders to temperatures above 60° C.

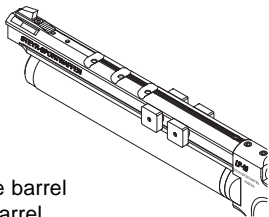
The compressed-air cylinder has to be checked according the local law!

1212.

10 ACCESSORIES

Standard accessories:

- 1 compressed-air cylinder with integrated pressure gage
- 1 filler adaptor piece
- 2 O-rings 4x1,5
- 4 barrel weights



The barrel weights are mounted on the barrel casing and may be shifted along the barrel.

25 g standard grip weight is mounted in the grip.

For shifting the barrel weight notches in distances of 9 mm are provided on the barrel casing. The grip weight (which is already fitted in the hand rest) may be exchanged after loosening the two lateral head cap socket screws.

11 CLEANING AND CARE

During normal shooting the pistol is maintenance-free and need not be greased. However, it is advisable to slightly grease the two O-rings in the loading port and the O-ring at the threaded adaptor socket for the propellant cylinder with a special lubricant (acid-free silicone grease) every 1000 shots. This will increase the service life of the O-rings.

In addition, it is recommended to wipe the pistol with a soft cloth after use. The visible metal parts may be slightly oiled from time to time with a good gun oil. To clean the barrel shoot some dry (not greased) felt pellets through the barrel.

12 GUARANTEE CLAUSES

These guarantee clauses do not apply to the USA.

If within one year from the day of purchase any cracks or breaks should occur on this weapon that are due to material failure we undertake to repair the defective parts free of charge.

The Steyr Sportwaffen guarantee may be claimed only by the first owner and only under the following conditions:

Guarantee will be given by either replacing or repairing the weapon or individual parts of it at our sole discretion. Any costs for material and/or working time shall be borne by us. Neither rescission of sale nor reduction may be claimed.

If during the period of guarantee material failure or improper weapon function should occur repeatedly, any guarantee claims have to be submitted without delay, at the latest, however, within a period of one month.

Only authorized Steyr Sportwaffen dealers, authorized Steyr Sportwaffen service workshops and the Steyr Sportwaffen GmbH may accept guarantee claims.

The customer shall bear any cost and the risk of loss or damage of the weapon on the way to the agency authorized to accept guarantee claims. The costs for returning the repaired weapon or replaced parts to the customers shall be borne by the Steyr Mannlicher AG & Co KG unless otherwise agreed.

Please return the fully completed Steyr Sportwaffen guarantee card to the manufacturer within ten (10) days after purchase of the weapon. In case of a guarantee claim the weapon has to be submitted along with the Steyr Sportwaffen guarantee card .

No guarantee claims will be accepted by the Steyr Sportwaffen GmbH or their agencies:

- a. if the weapon has been damaged or destroyed by force majeure or environmental influences;
- b. in case damages/defects have been caused by improper treatment, or handling or by inadequate maintenance;
- c. if the weapon has been repaired, worked on or altered by any person or workshop other than an authorized Steyr Sportwaffen workshop;

Claims for damages and product liability

No claims for direct or indirect damage will be accepted.

Liability for material damages as defined in the product liability law, as well as any product liability claims that could be derived from other provisions are excluded.

The object of purchase warrants only that type of safety which may be expected in accordance with the homologation rules, service manual, manufacturer's instructions as to the treatment of the supplied object (Operator's Manual) as well as any other pertinent information received.

The above provisions shall fully govern the legal relationship with our company. Any additional claims, in particular for any kind of damage or losses caused by the weapon or its use, are excluded. Any claims against the Steyr Sportwaffen dealer as seller are excluded, if and to the extent as we give satisfaction.

Steyr Sportwaffen accuracy guarantee

Steyr Sportwaffen barrels are made from high-quality barrel steel and are produced according to the latest findings in barrel production technology.

Our weapons are well known for their outstanding performance.

However, the accuracy of a weapon depends on several factors, one of the most important factors being the ammunition used. Not every type of ammunition is suitable for a given type of barrel.

Even ammunition of the same manufacturer and of the same brand may show different accuracy results from batch to batch and when fired from different weapons.

With optimal ammunition we guarantee excellent accuracy of our weapons.

Claims regarding insufficient accuracy must be reported to us in writing within twenty (20) days after purchase of the weapon. Should accuracy test show that the claim was unfounded, we reserve the right to charge the costs of the test and for shipping to the claimant.

13 SERVICE

Your air pistol has been thoroughly and very carefully tested before delivery.

Should it become necessary to replace parts or to carry out repairs on the weapon please contact an authorized Steyr Sportwaffen dealer.

***WARNING:* Only genuine spare parts may be used!**

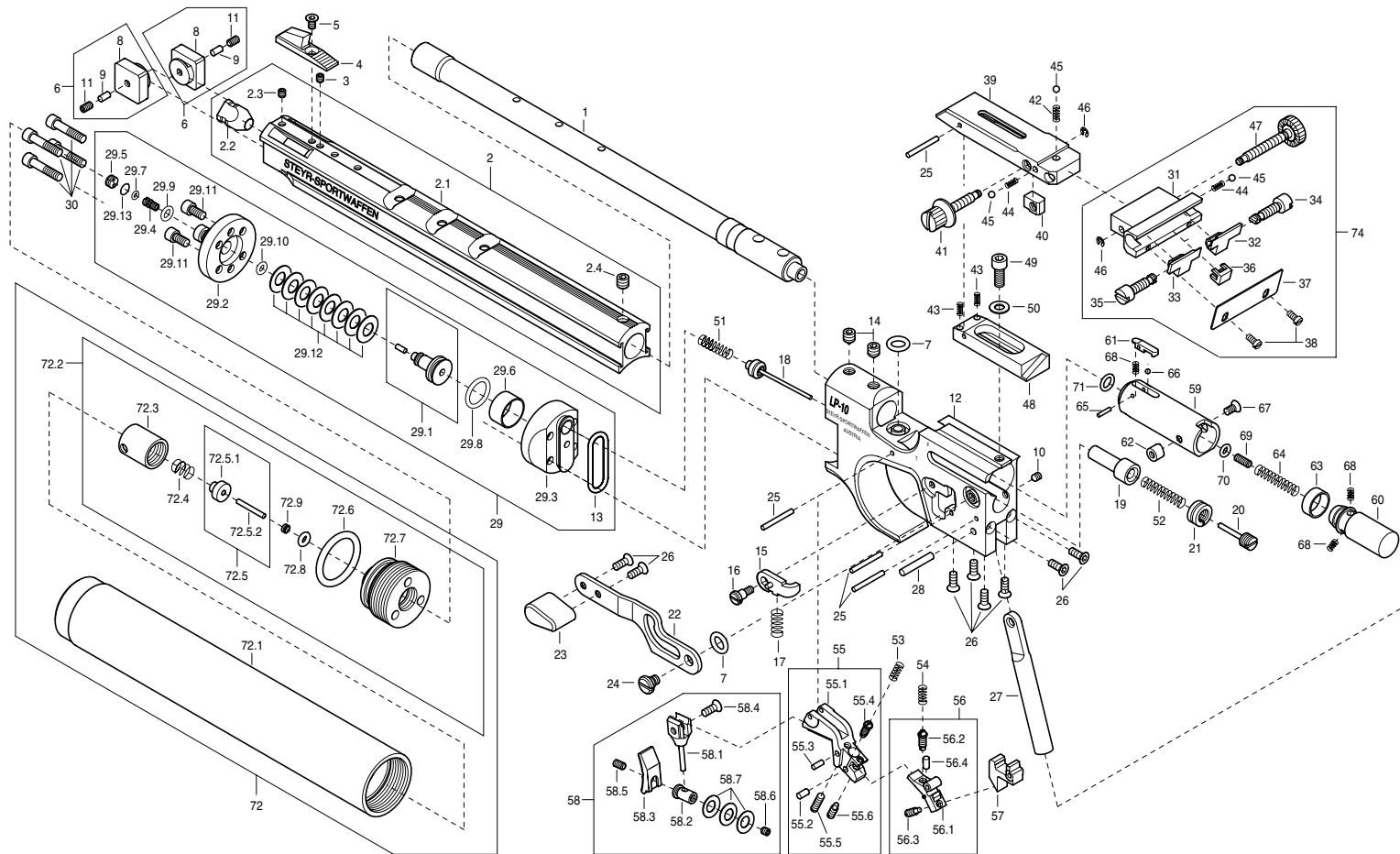
14 PARTS LIST LP-10

Item	Designation	Standard	Quantity
1	Barrel LP-10		1
2	Barrel casing LP-10, assy		1
2.1	Barrel casing LP-10		1
2.2	Compensator LP-10		1
2.3	Hexagon socket set screw	DIN 913 M 3x3	1
2.4	Hexagon socket set screw	DIN 913 M 5x5	1
3	Hexagon socket set screw	DIN 913 M3x3	1
4	Front sight 4.5 mm		1
5	Countersunk screw		1
6	Barrel weight assy		1
7	O-ring 6x2		3
8	Barrel weight		4
9	Screw lock		4
10	Hexagon socket set screw	DIN 914 M3x4	1
11	Hexagon socket set screw	DIN 913 M3x5	4
12	Casing LP-10		1
13	O-ring 18x2		1
14	Hexagon socket set screw	DIN 914 M5x6	2
15	Cam		1
16	Cam screw		1
17	Pressure spring		1
18	Valve assy		1
19	Hammer LP-10		1
20	Set screw V0		1
21	Threaded bushing		1
22	Cocking lever		1
23	Cocking lever handle		1
24	Stop screw		1
25	Parallel pin	DIN 6325 2m6x18	4
26	Hex. socket countersunk head screw	DIN 7991 M3x8	8

Item	Designation	Standard	Quantity
27	Grip locking rod		1
28	Parallel pin	DIN 6325 3m6x18	1
29	Pressure reducing valve LP-1		1
29.1	Piston assy		1
29.2	Adapter for pressure reducing valve		1
29.3	Housing for pressure reducing valve		1
29.4	Adjusting screw for pressure reducing valve		1
29.5	Cover for pressure reducing valve		1
29.6	Guiding sleeve		1
29.7	O-ring 1.5x1		1
29.8	O-ring 8.92x1.83		1
29.9	O-ring 4x1.5		1
29.10	O-ring 3x1.5		1
29.11	Connecting screw		1
29.12	Disc spring	DIN 2093 A 12.5 GR1	8
29.13	Filter		1
30	Mounting screw		4
31	Sight carrier		1
32	Rear sight plate right		1
33	Rear sight plate left		1
34	Spindle, right		1
35	Spindle, left		1
36	Fixing clamp		1
37	Cover plate		1
38	Slotted cheese head screw	DIN 84 M2.5x5	2
39	Sight yoke		1
40	Sliding block		1
41	Height adjusting screw		1
42	Spring for sight carrier		1
43	Spring		2
44	Catch spring		2
45	Ball	DIN 5401 2.5mm V	3
46	Circlip	DIN 6799 2.3	2

Item	Designation	Standard	Quantity
47	Lateral adjusting screw		1
48	Sight plate LP-10		1
49	Screw for sight plate		1
50	Washer	DIN 125 A 4.3	1
51	Spring		1
52	Pressure spring		1
53	First stage pressure spring		1
54	Spring		1
55	Trigger blade carrier assy		1
55.1	Trigger blade carrier		1
55.2	Screw lock		1
55.3	Screw lock		1
55.4	First stage pressure adjusting screw		1
55.5	Slotted set screw	DIN 551 M3x10	1
55.6	Slotted headless screw	DIN926 M3x0.35x6x2.5	1
56	Trigger lever assy		1
56.1	Trigger lever		1
56.2	First stage pressure adjusting screw		1
56.3	Slotted headless screw	DIN926 M3x0.35x6x2.5	1
56.4	Screw lock		1
57	Trigger sear		1
58	Trigger complete		1
58.1	Trigger mount assy		1
58.2	Trigger pin		1
58.3	Trigger blade		1
58.4	Slotted raised countersunk head screw	DIN 964 M3x8	1
58.5	Hexagon socket set screw	DIN 913 M3x5	1
58.6	Hexagon socket set screw	DIN 913 M3x3	1
58.7	Disc spring	DIN 2093 A10 GR1	3
59	Bolt LP-10		1
60	Stabilizer LP-10		1
61	Catch lever		1

Item	Designation	Standard	Quantity
62	Bolt roller		1
63	Guide ring		1
64	Pressure spring		1
65	Parallel pin	DIN 6325 1,5m6x7	1
66	Ball	DIN 5401 2mm III	1
67	Cross rec. countersunk head screw	DIN 965 M3x5	1
68	Spring		4
69	Hexagon socket set screw	DIN 913 M3x8	1
70	O-ring 3x1.6		1
71	O-ring 5x1.5 FPM70 or FPM81		1
72	Propellant cylinder compressed air		1
72.1	Cylinder body compressed air		1
72.2	Cylinder valve compressed air		1
72.3	Valve head		1
72.4	Trigger adjusting spring		1
72.5	Cylinder valve tappet assy		1
72.5.1	Cylinder valve tappet		1
72.5.2	Parallel pin	DIN 6325 2m6x16	1
72.6	O-ring 20x2		1
72.7	Valve body for pressure reducing valve		1
72.8	O-ring 2.9x1.9		1
72.9	Supporting ring		1
73	Grip, complete		1
73.1	Grip		1
73.2	Palm shelf		1
73.3	SMG- label		1
73.4	Slotted cheese head screw	M5x35 8.8 A2R	3
73.5	Grip weight 25 g		1
73.6	Distance plate		1
73.7	Rest plate		1
73.8	O-ring 4x1.5		1
73.9	Washer 5.3		1
74	Sight carrier assy		1



LP-10

